

WebdynModbus β

Gateway for solar plants with Power Management

The WebdynModbus β manages data from Modbus equipments. On a single box, the gateway includes a RTU/TCP Modbus, GPRS/WiFi and Ethernet interfaces to communicate with the information system. Installation is carried out via the pages of the embedded web server. Then, data collection can start in an automatic and periodic way. After synchronising with the remote server, actions can be carried out remotely. This gateway operates like a Modbus master. The variables associated to each Modbus slave are defined in the configuration files or the local HTML, and the associated data is reachable in reading/writing. The functions synchronise with the server using web services.



Main Features



4G/3G/2G



Ethernet



RS485



+5V



-5 - 60°C

Strenghts & Benefits

- Simple local or remote setup from a text file
- Very low consumption of data on mobile network
- Full compatibility with Modbus protocol
- Double connectivity Modbus RTU & Modbus TCP
- Managing of all the variables (reading & writing) of a Modbus slave
- Remote actions and command of the Modbus slaves

Applications

- Modbus slaves monitoring: input, output, electrical equipment...

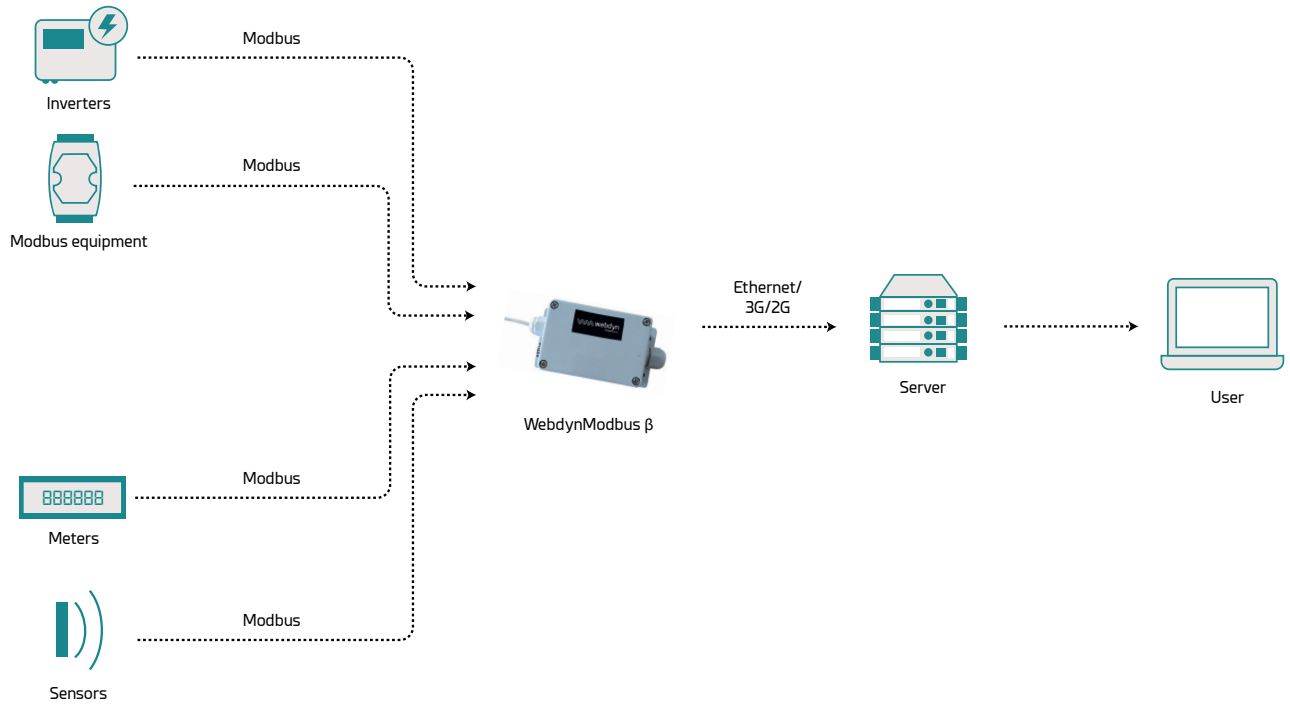
Interfaces

- RS485 Modbus RTU (up to 200 parameters)
- Ethernet Modbus TCP (up to 200 parameters)
- IP network interfaces: Ethernet 10/100Mbps/s – GSM/GPRS/WiFi

Characteristics

- Power supply: +5V
- Power consumption: 2W max.
- Operating temp.: -5°C/+60°C
- Storage temp.: -20°C/+85°C
- Dimensions: 190x83x58mm

Architecture



References

PRODUCTS

- WebdynModbus Beta

WG0513-A01

ACCESSORIES

- 5V power supply
- RS485 to USB converter

AC0102-00

AC0201-0